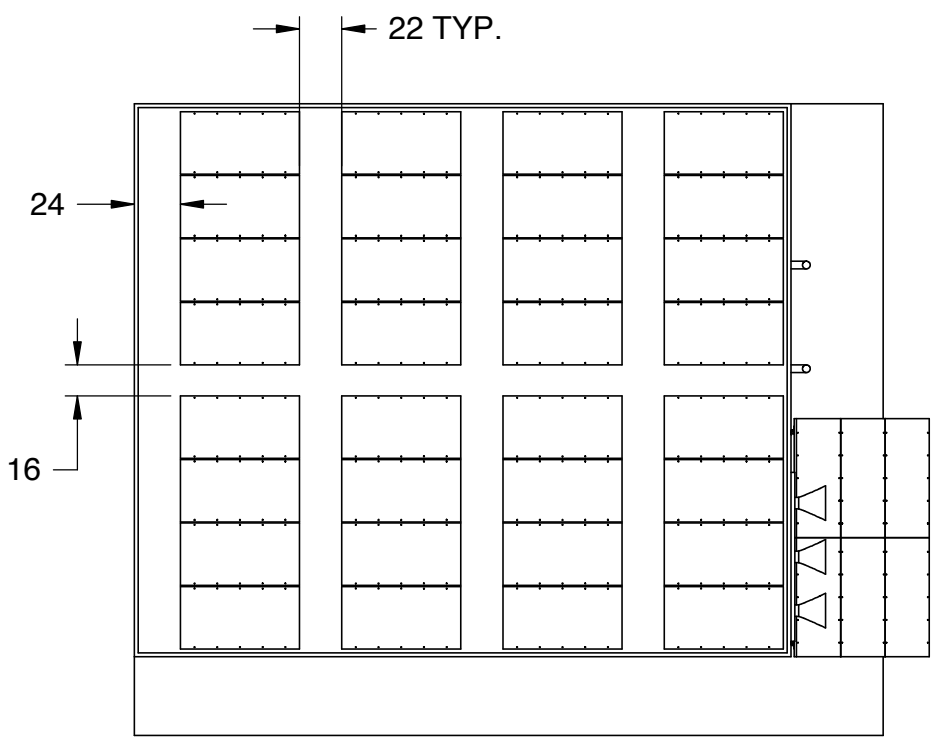
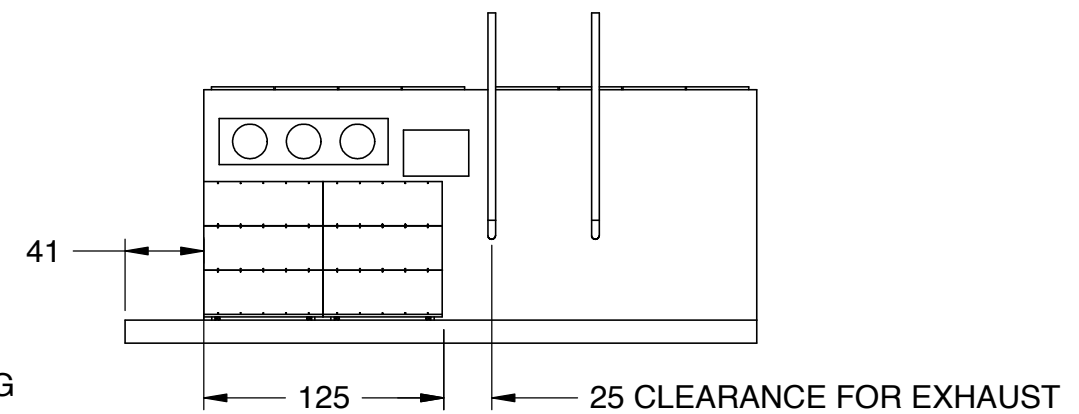
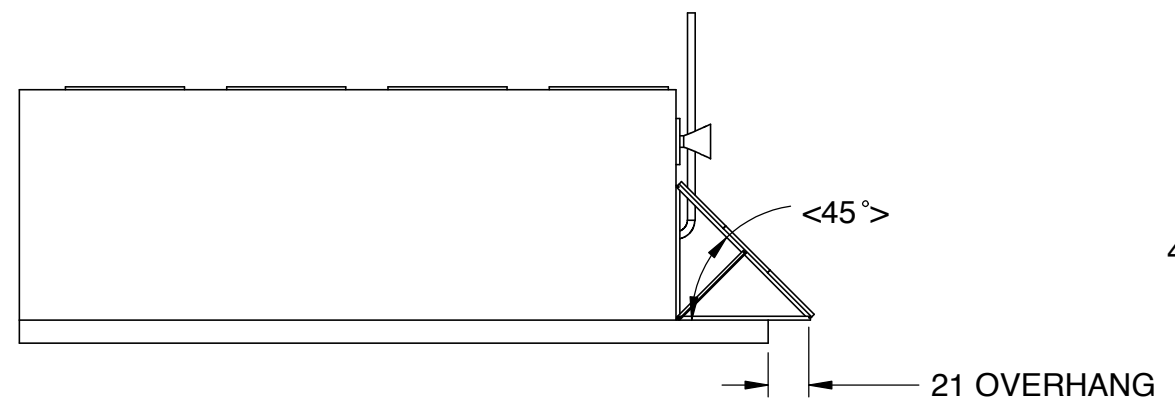
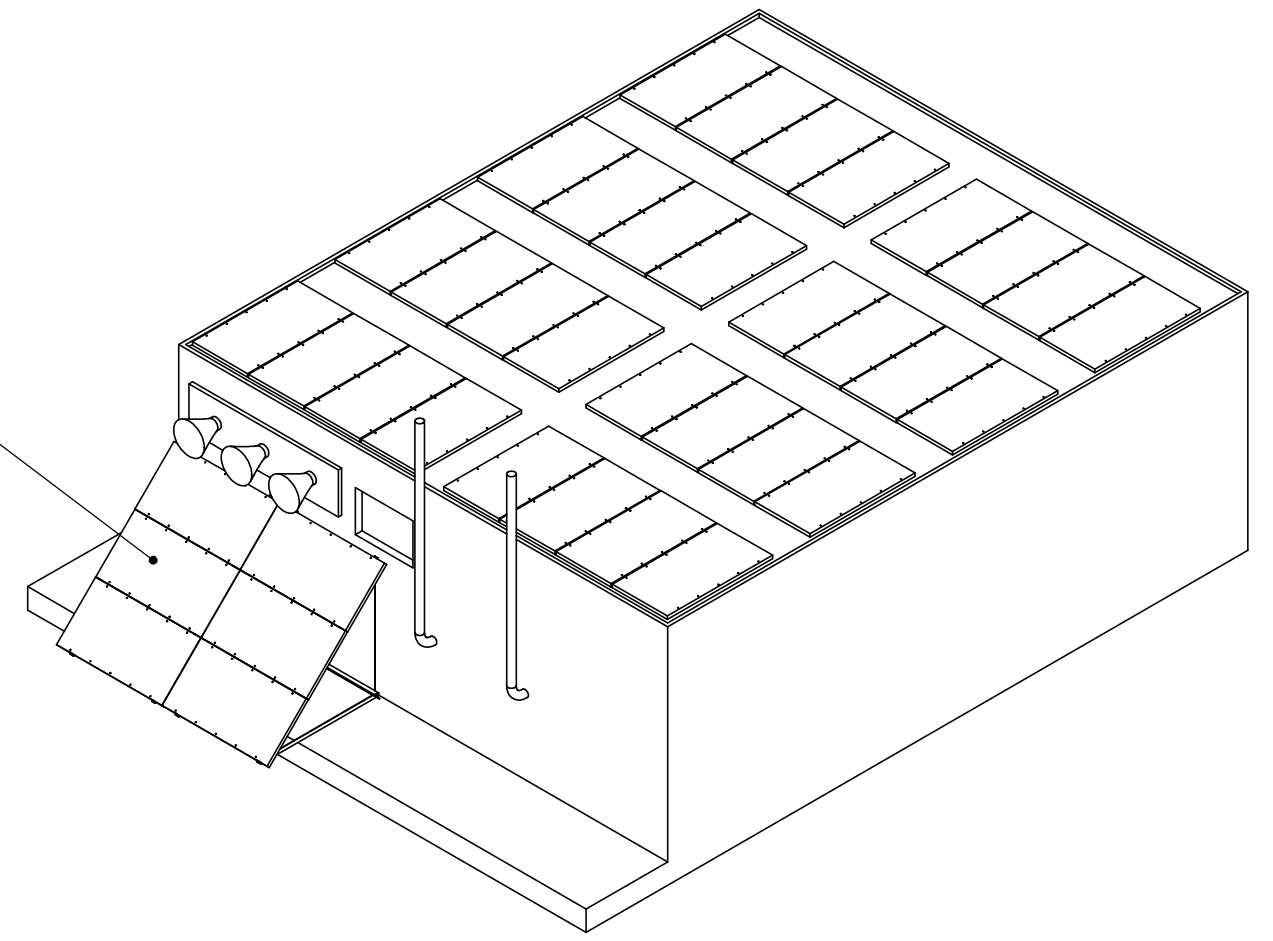


REVISION			
REV.	DESCRIPTION	DATE	APPROVED



GROUND MOUNT  
GM6-SH170



NOTES: CONCEPTUAL DRAWING ONLY - NOT FOR CONSTRUCTION

MATERIAL:  
FINISH:  
FINISH SPEC.:

<b>UNLESS OTHERWISE SPECIFIED</b> DO NOT SCALE DRAWING  INTERPRET DIMENSIONS AND TOLERANCES PER ASME Y14.100-2000 TOLERANCES APPLY AS SHOWN BELOW DECIMALS SURF FINISH ANGLES .X ±.1 .XX ±.01 .XXX ±.005 .XXXX ±.0005		<b>PDM MAINTAINED DATA</b> CHANGES SHALL BE INCORPORATED ELECTRONICALLY BY THE DESIGN AUTHORITY  <b>PROPRIETARY</b> COPYRIGHT © 2003 BY Carmanah Technologies Inc. Victoria, BC, Canada ALL RIGHTS RESERVED. NO PART OF THIS DOCUMENT MAY BE REPRODUCED STORED IN A RETRIEVAL SYSTEM, OR TRANSMITTED IN ANY FORM, WITHOUT THE WRITTEN PERMISSION OF Carmanah Technologies Inc.		<b>Carmanah</b> Carmanah Technologies Inc. Building 4-203 Harbour Road Victoria, BC Canada V9A 3S2 Tel [250] 380-0052 Fax [250] 380-0062	
<b>THIRD ANGLE PROJECTION</b> 		DESIGNED BY R CHAN DRAWN BY R CHAN APPROVED	DATE 06-11-08 DATE 06-11-08 DATE	SIZE <b>B</b> SCALE 1:1.5	DRAWING NO <b>0358-007-01</b> CAD REFERENCE
				TITLE <b>RACE ROCKS CONCEPTUAL DRAWING</b>	REVISION <b>3.0</b> SHEET 1 OF 1